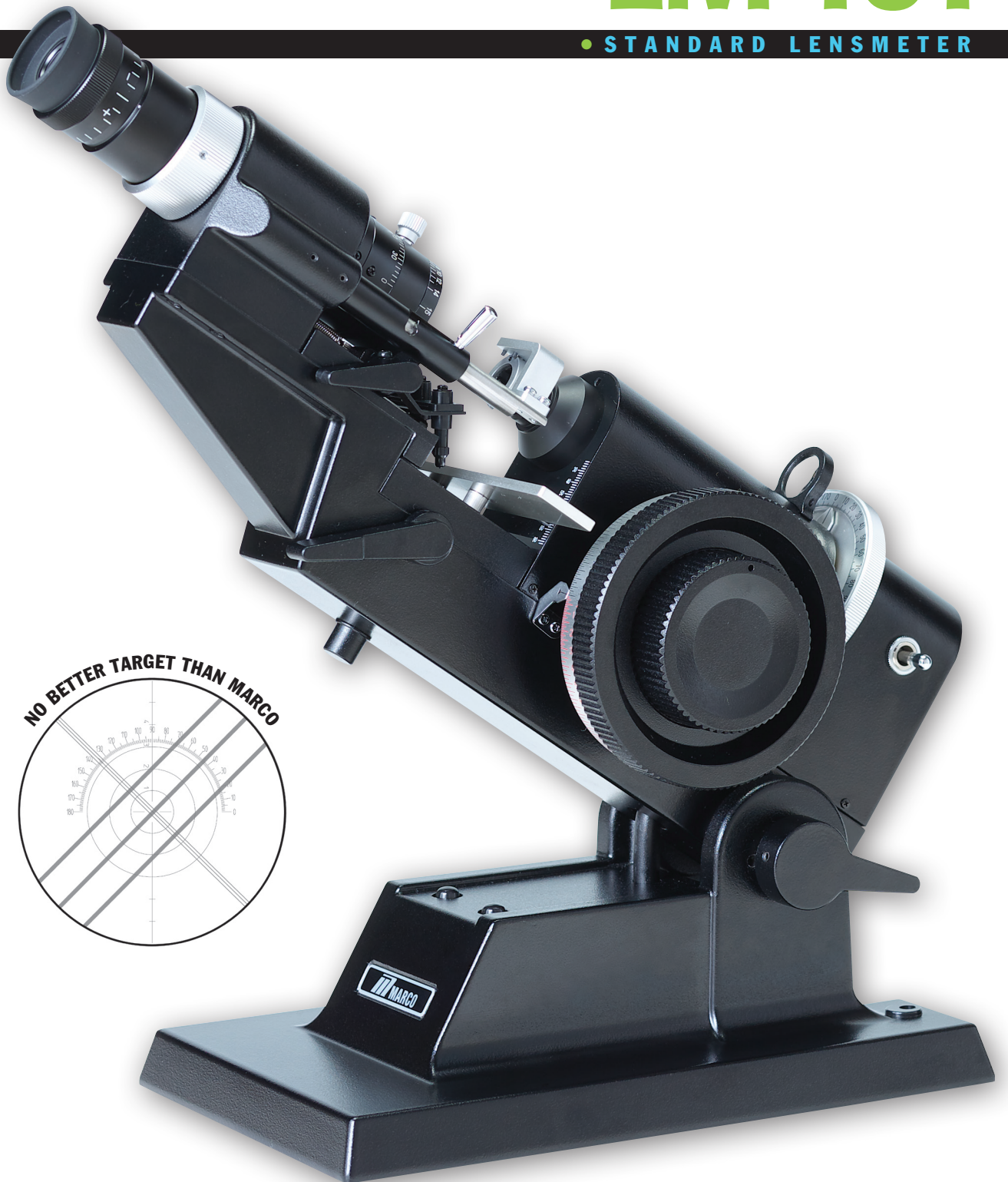


LM-101

• STANDARD LENSMETER



The **Marco Lensmeter 101**, like all Marco lensmeters, is well suited for measuring soft and hard contact lenses as well as conventional spectacle lenses. The Marco Lensmeter 101 is a compact deluxe model with a full 90-degree inclination, which facilitates the measurement of contact lenses when used in the vertical position. Standard equipment on the 101 includes such deluxe features as a prism compensator, external power and axis readings, LED illumination, AC or battery-powered operation, and an American-style cross-line target. The oversized lens table permits the measurement of conventional lenses from 30 to 90 millimeters in diameter. The instrument is well suited for laboratory or office use.



Play it safe.
Protect your warranty. Buy your Marco product only from an authorized Marco distributor. Call Marco for the name of the distributor nearest you.

LENSMETER 101 SPECIFICATIONS Stock #4004	
Compact Deluxe Model with Full 90 Degree Inclination	
● FEATURES	
	<ul style="list-style-type: none"> LED Illumination system AC Adapter or Battery powered operation Full 90-degree inclination Prism compensator External power and axis readings American-style cross-line target Acceptable for laboratory use Incomparable construction Discriminating optics Will read hard or soft contact lenses and conventional lenses from 24mm through 90mm in diameter
● TECHNICAL DATA	
Type	Ocular type; external reading
Target	American Cross-line
Vertex Power	Range: +25 to -25 diopters Step: 0.125 diopters up to ±3 diopters 0.25 diopters beyond ±3 diopters
Cylindrical Axis	Range: 0 to 180 degrees Step: 1 degree
Prismatic Power	Range: 5 prism diopters in field of view (20 prism diopters by prism compensator) Step: 1 prism diopter
Eyepiece Focusing	+5 to -5 diopters
Diameter of Lenses Accommodated	24 to 90mm
Lamp	AC 100V (LED illumination)
Target Illumination	Switchable Dual color, Green/Orange LED (2V 25mA)
Power source	DC 5V 1.2A (AC adapter 100~240V 50~60Hz 0.5A) 2 Each 1.5V D size battery (included)
Tilting Angle	0 to 90 degrees
● GENERAL	
Dimensions	At 0 degrees: 170mm (W) x 450mm (D) x 224mm (H) At 90 degrees: 170mm (W) x 342mm (D) x 470mm (H)
Weight	Approximately 14 lbs.
Color/Finish	Black
Standard Accessories	Vinyl dust cover, 7mm nosepiece, prism compensator
Optional Accessories	Manual marking system (for Lab use)
Storage	Temperature 10C -40C, Humidity 30%-85% Dust-free environment

The Difference is Marco™